

T&S BRASS AND BRONZE WORKS, INC.

2 SADDLEBACK COVE / P.O. BOX 1088 / TRAVELERS REST, SC 29690

PHONE 800-476-4103

FAX 803- 834-3518



REG.#A2601
ISO #9002

Model No.

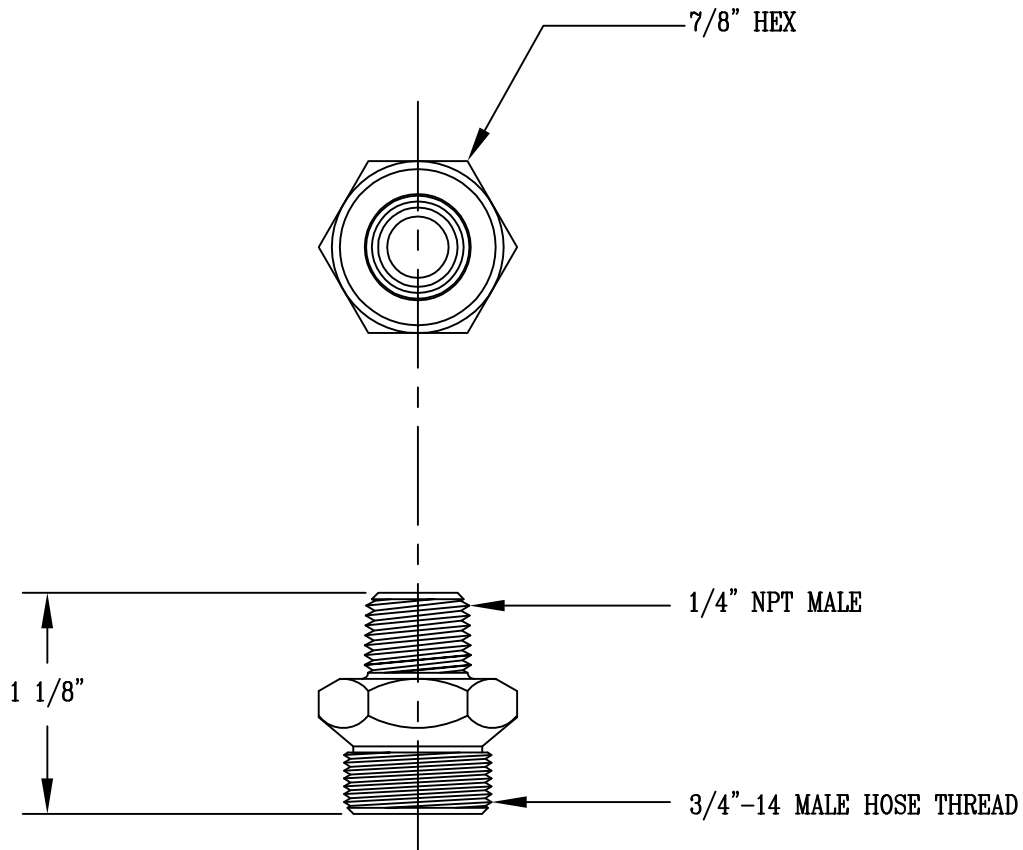
172A

Item No.:

Job Name:

Architect/Engineer Approval:

Notes:



Product Description:

3/4" - 14 MALE x 1/4" NPT MALE ADAPTER

Drawn:

WJS

Approved

MVW

Checked

JKD

Scale:

1' = 1'

Date:

2-5-01